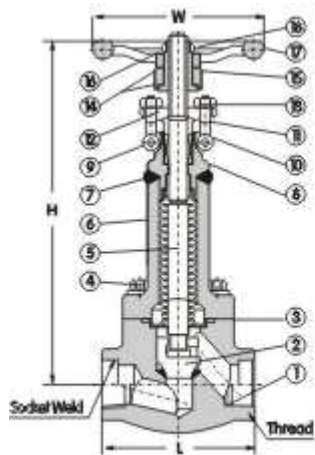
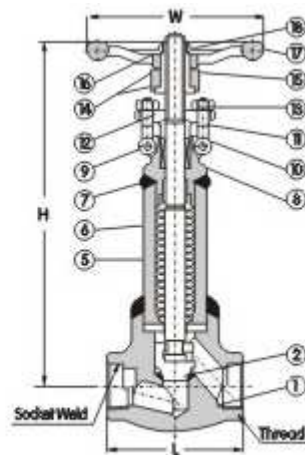




BELLOW SEALED GLOBE VALVE 800LB



Eg. FIG. BL8C1Y



Eg. FIG. WBL8C1Y

Features:

Bellow Sealed Globe Valve 800Lb

Standard Material Specifications

NO.	Part Name	CS to ASTM	AS to ASTM	SS to ASTM	
		Type A105	Type A182 F22	Type A182 F304	Type A182 F316(L)
1	Body	A105	A182 F22	A182 F304(L)	A182 F316(L)
2	Disc	A276 420	A276 304	A276 304(L)	A276 316(L)
3	Gasket	Corrugated SS + graphite		SS + PTFE	
4	Bonnet Bolt	A193 B7	A193 B16	A193 B8	A193 B8M
5	Stem	A182 F6	A182 F304	A182 F304(L)	A182 F316(L)
6	Bellow Pipe	SS			
7	Bonnet	A105	A182 F22	A182 F604(L)	A182 F316(L)
8	Stem Packing	Flexible Graphite		PTFE	
9	Pin	A276 420		A182 F304	
10	Gland	A276 420		A182 F304	
11	Gland Eyebolt	A193 B7	A193 B16	A193 B8	A193 B8M
12	Gland Flange	A216 WCB		A351 CF8	
13	Gland Nut	A194 2H	A194 4	A194 8	A194 8M
14	Bearing Washer	SS			



15	Yoke Nut	A276 410			
16	Nameplate	SS			
17	Handwheel	A197			
18	H.W.Nut	A194 2H	A194 4	A194 8	A194 8M
	Suitable Medium	W.O.G.etc	W.O.G.etc	HNO3,CH3OOH etc	
	Suitable Temperature	-29~425	-29~550	-29~180	

Note: Other materials are available upon request.

Dimensions (mm) and Weights (Kg)

NPS	Conv.	3/8"	1/2"	3/4"	1"	1-1/4"	1-1/2"	2"
	Full		3/8"	1/2"	3/4"	1"	1-1/4"	1-1/2"
L		79	79	92	111	120	152	172
H(OPEN)		220	220	225	244	321	321	347
W		100	100	100	125	160	160	180
Weights	Bolted	3.2	3.0	4.8	7.9	11.0	16.8	25.2
	Welded	3.0	2.8	4.8	7.0	9.6	13.5	20.2